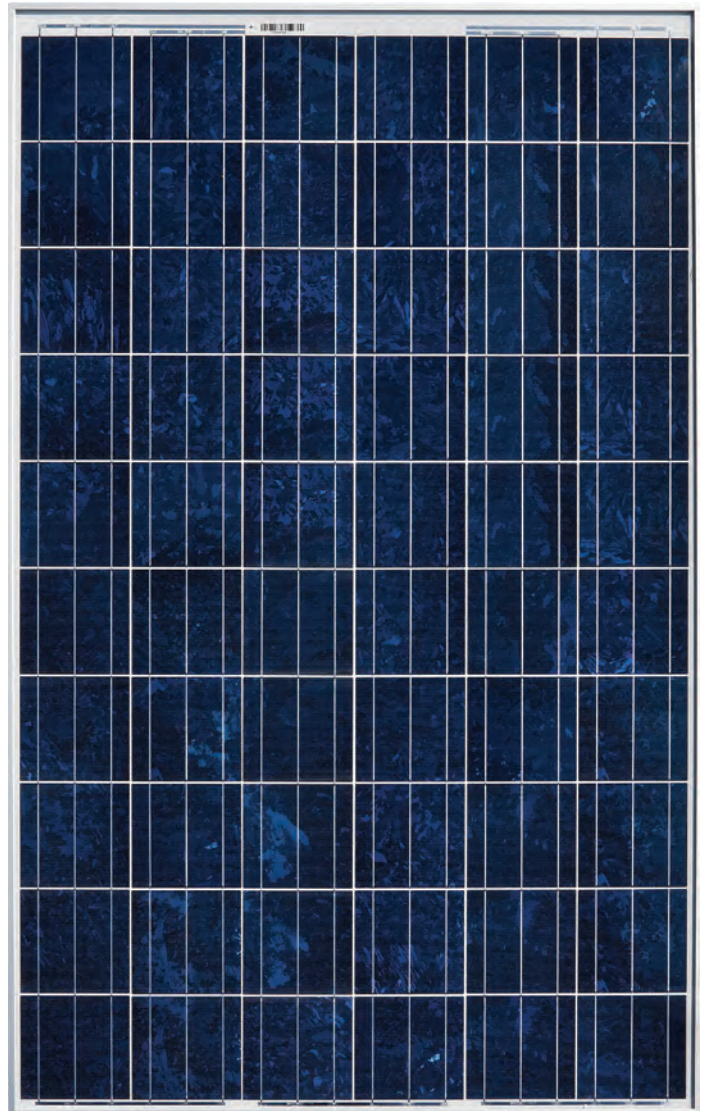


## 255W Series



### Description

Solahart solar power systems are amongst the most efficient in the world delivering more power for each watt installed.

Our solar panels are high performance and made from quality crystalline cells. Each cell is individually tested and power matched to ensure consistent performance between the cells of the panel.

Solahart panels are designed to be durable and engineered to meet the highest quality standards and provide a stable, consistent power output.

The 255W Series panel is certified to International Standards IEC 61215 & IEC 61730 and meets the requirements of all relevant Australian authorities.

### Key Features

- Efficient crystalline cell design
- Anodized aluminium frame for durability
- Robust and durable panel design
- Integrated manufacturing process
- Premium quality
- Internationally recognised for high output performance

### Key Benefits

- Textured cells provide more sunlight absorption
- Anti-reflective glass technology collects more sunlight
- Optimised for a wide range of sunlight conditions
- Low iron solar glass for increased sunlight transmission
- 10 year Solahart warranty\* on solar panels

# 255W Series

## Electrical Characteristics

Maximum Power (Pmax)	255W	
Power Class	0/+5W	
Open Circuit Voltage (Voc)	37.6V	
Short Circuit Current (Isc)	8.95A	
Maximum Power Voltage (Vmp)	30.5V	
Maximum Power Current (Imp)	8.42A	
Module Efficiency (%)	15.5	
Temperature Coefficients	$P_{MPP}$	-0.40%/°C
	$V_{OC}$	-0.27%/°C
	$I_{SC}$	+0.024%/°C
Maximum System Voltage (IEC)	1000V	

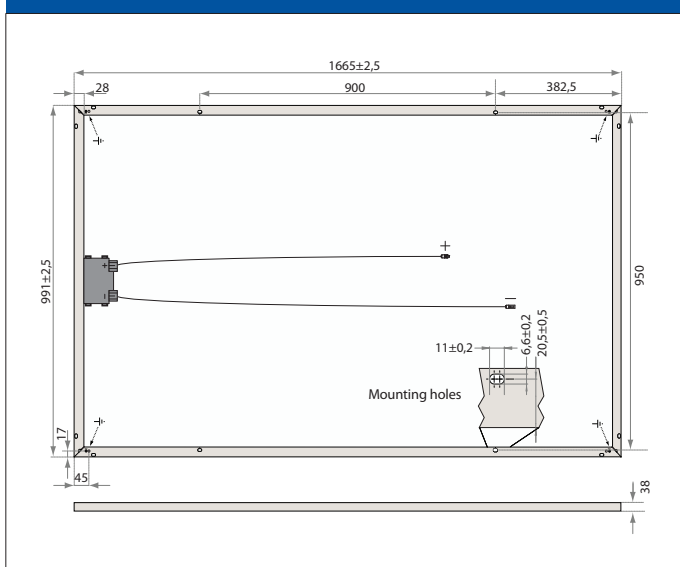
Electrical characteristics tested at Standard Test Conditions (STC), defined as: Irradiance of 1000W/m<sup>2</sup>, air mass AM 1.5 and Cell temperature of 25°C.

## Specifications

Dimensions	1665mm x 991mm x 38mm
Weight	18kg
Cell Type and configuration	60 REC PE multi-crystalline cells 3 strings of 20 cells
Glass	Solar glass with anti-reflection surface treatment
Back sheet	Double layer highly resistant polyester
Frame	Anodised aluminium
Temperature range	-40°C to + 80°C
Junction Box	Protection Class IP 67
Connectors	Multi-contact MC4
Part Number	REC255PE
Solahart Warranty	10 years (1 year labour) on panels*

\*For full details see the Solahart owners guide and Installation Instructions.

## Dimensions



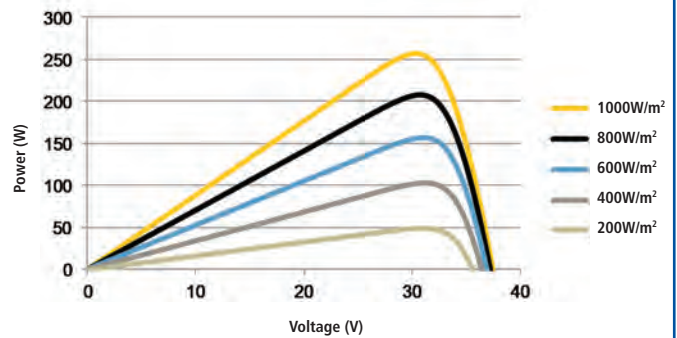
Specifications and designs included in this datasheet are subject to change without notice.

Solahart Australia Tel: 1300 769 475 • www.solahart.com.au

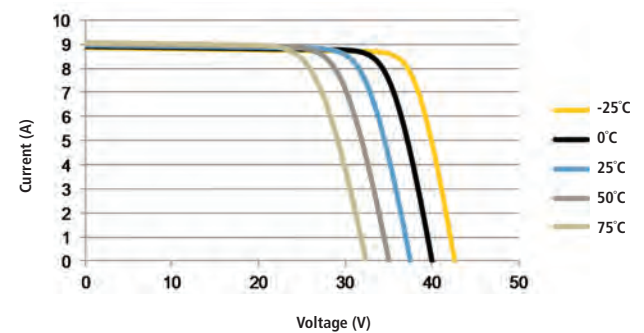
Reorder code: SHB/PV-255W

IH002\_255W\_July 2014

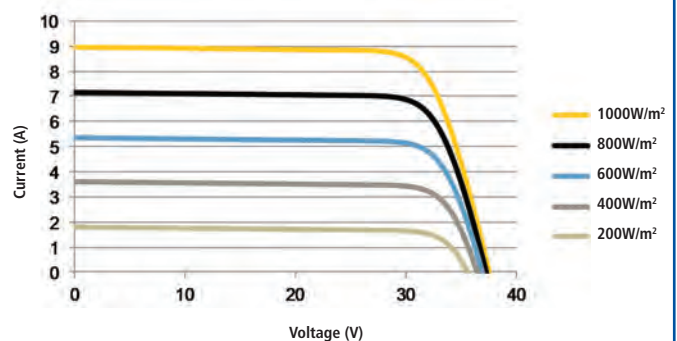
## PV Curves at Different Irradiances



## IV Curves at Different Temperatures



## IV Curves at Different Irradiances



Note: Electrical parameter curves are generated from a combination of production and lab data and may not exactly match that of a single test module.